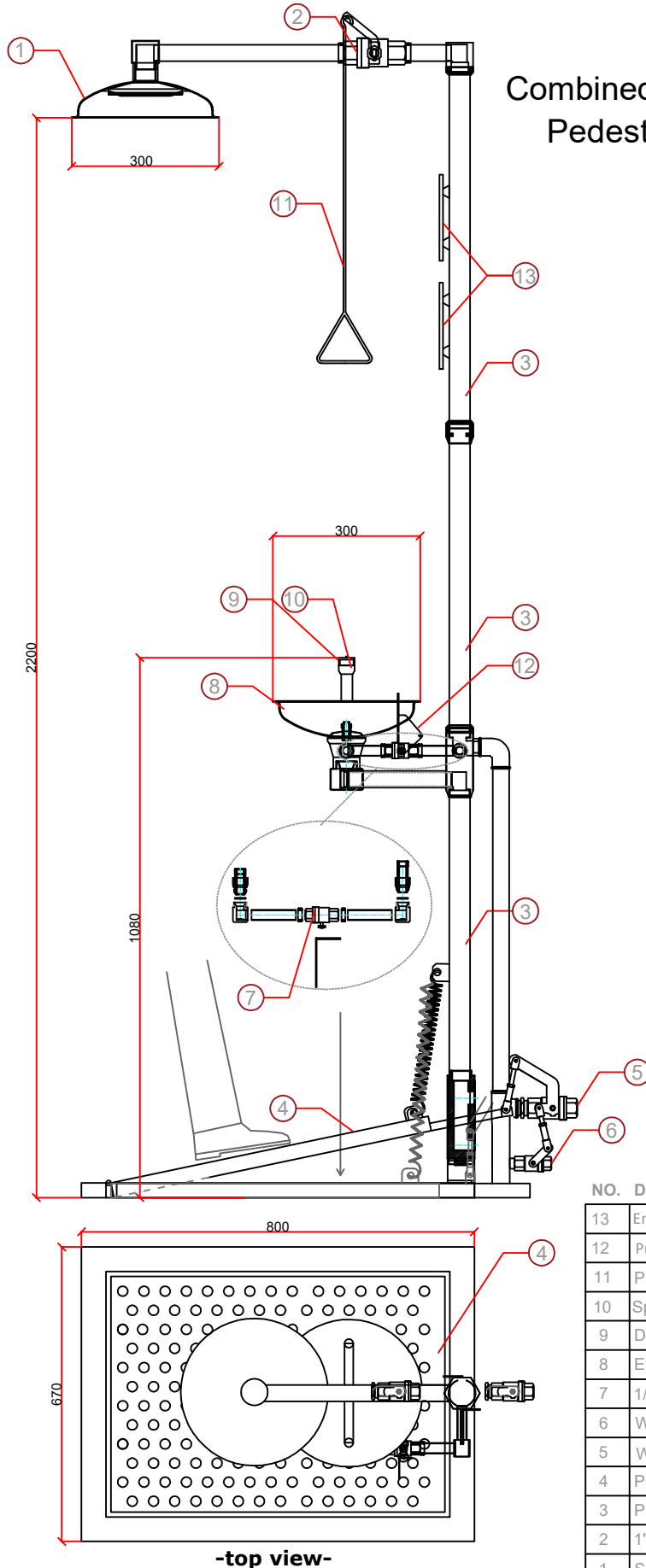


Combined Unit, ISTEС Type ESW Pedestal Type With Platform



Standarts: EN 15154-1-2
Water Flow: 75 lt / min for Shower
11,4 lt/min for eye wash
Total Weight: 40 kgs
Packed Dimensions: 71x101x27 cm

Static test pressure : 7 bar
Min using pressure : 1,4 bar
Max using pressure : 2,8 bar

NO.	DESCRIPTION	MATERIAL
13	Emergency Sign	Phosphorus
12	Push Handle Control for Eyewash	Stainless Steel 304/316
11	Pull rod control for Shower	Stainless Steel 304/316
10	Spray Nozzles	Brass
9	Dust Cover on Eyewash Spray	Plastic
8	Eyewash Bowl	Stainless Steel 304/316
7	1/2" Ball Valve	Stainless Steel 304/316
6	Water Outlet 1/2", Frost Protection	Stainless Steel 304/316
5	Water Inlet 1"	Stainless Steel 304/316
4	Platform Control for Non-freeze	Stainless Steel 304/316
3	Pipes	Stainless Steel 304/316
2	1" Ball Valve	Stainless Steel 304/316
1	Shower head Bowl (Ø300mm)	Stainless Steel 304/316



REV.	DATE	DESCRIPTION	DESIGNED	CHECKED	APPROVED
A		FIRST ISSUE	SS	FA	ST

STATUS
FOR INFORMATION
FOR REVIEW
FOR APPROVAL

FOR INFO/DESIGN



ORIGINAL EDITION	SIZE	SCALE
DESIGNED ✓ SS	A4	1/100
CHECKED ✓ FA		
APPROVED ✓ ST		

CUSTOMER		
PRODUCT		
15038080		
DRAWING NUMBER/DATE:	SHEET:	DRAWING NAME:
3716/1	1 OF 1	Combined Unit, ISTEС Type ESW Pedestal Type With Platform for Non-Freeze